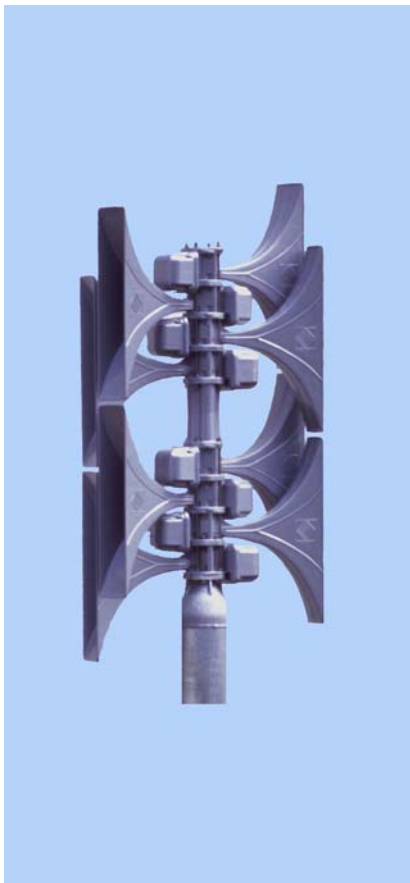




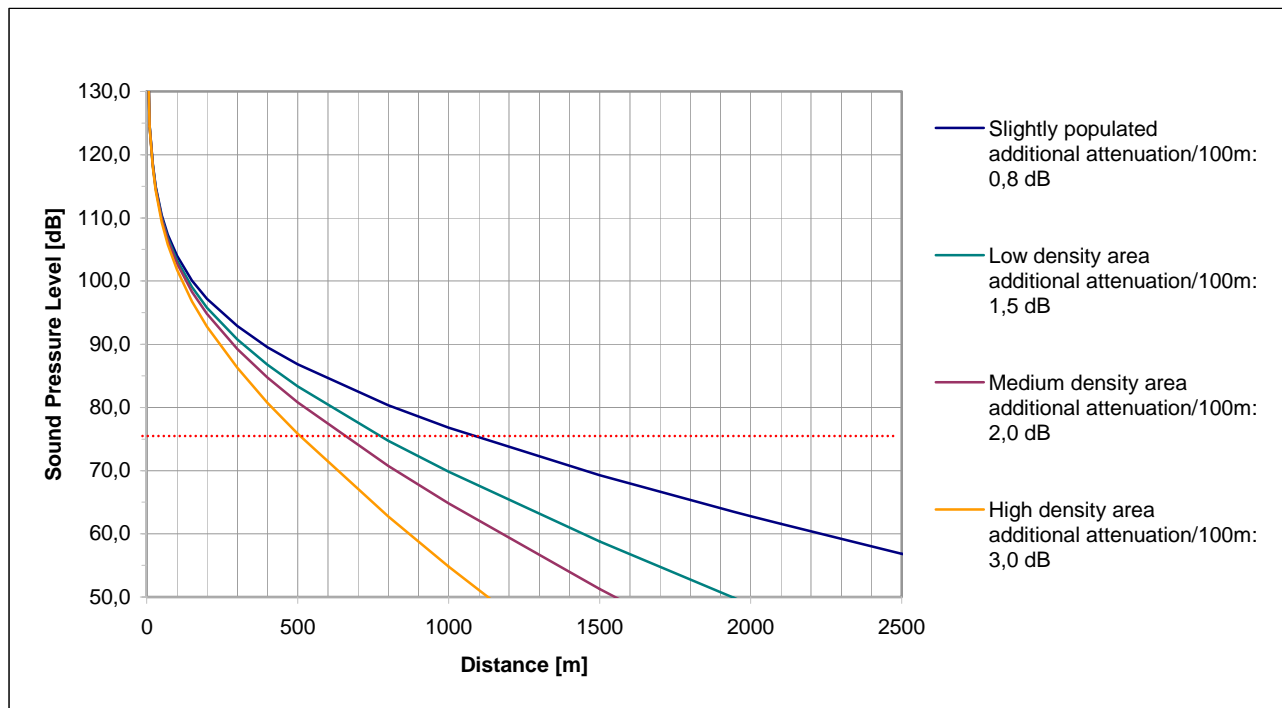
ELECTRONIC COMPACT SIREN

ECI 1200



Siren Type	ECI 1200
Sound Pressure Level	115 dB (A) / 30 m
Fundamental Frequency	415/425 Hz
Siren Sound	Customer Specification
Alert Signals	Customer Specification
Number of Alert Signals	Up to 10
Number of Horns and Drivers	8
Weight of Single Horn	9 kg
Head Dimension (w x d x h) in mm	Double Column 136 x 850 x 1605
Material of Horns	Gk-AlSi12Mg wa
Colour of Horns	Natural Aluminium
Humidity	0-100%
Number of Amplifiers	2
Mains Power Supply	230 V or 110 V + /-10%
Battery Voltage	24 V
Max. Charging Current	4 A
"Standby" Time	Up to 1 month
Number of Alarms available within 48 h without Mains Power Supply	Up to 20
Cabinet Dimensions (w x d x h) in mm	600 x 350 x 600
Cabinet Colour	RAL 7035
Control Cabinet ambient Temperature Range	-25 °C... +65 °C
Cabinet Material	St 1203, 1,5 mm thick
<i>Specifications are subject to change without notice!</i>	

Propagation of Sound Pressure Level (SPL)



Sirenhead Assemblies for omni-directional Soundpropagation

Single Column

Double Column

Number of Horns: 8

Number of intermediate pieces:

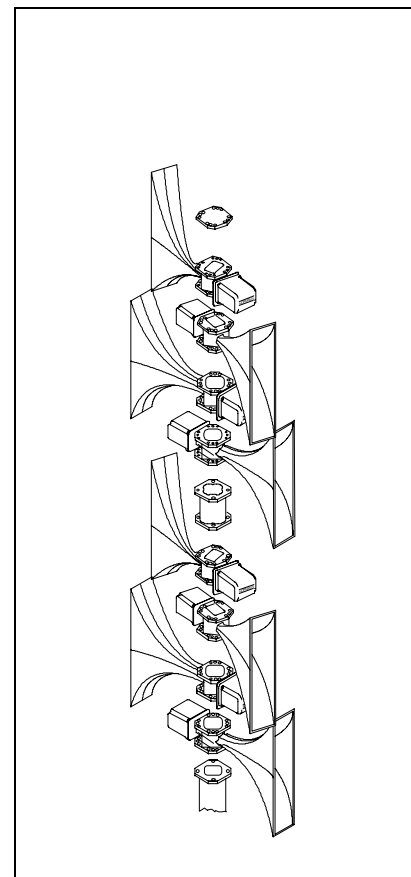
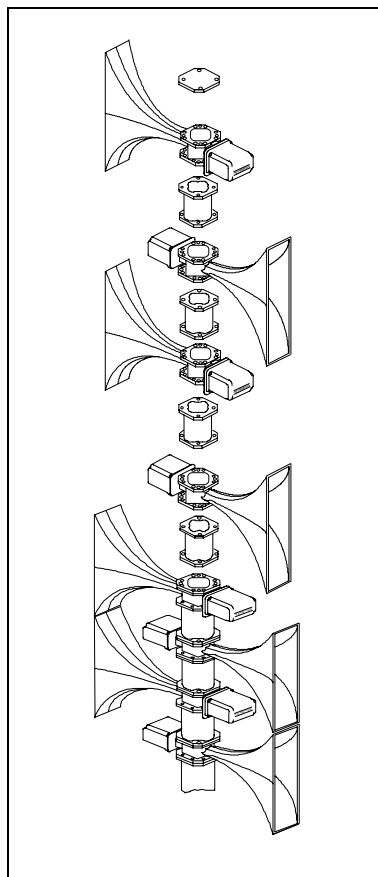
Single Column 7

Double Column: 1

Dimensions: (w x d x h) in mm

Single Column 136 x 834 x 2890

Double Column 300 x 850 x 1605



HÖRMANN GmbH

Hauptstraße 45-47

85614 Kirchseeon

Tel.: +49.(0)8091.52-261

Fax: +49.(0)8091.1275

email: info@hoermann-gmbh.de

Internet: www.hoermann-gmbh.de